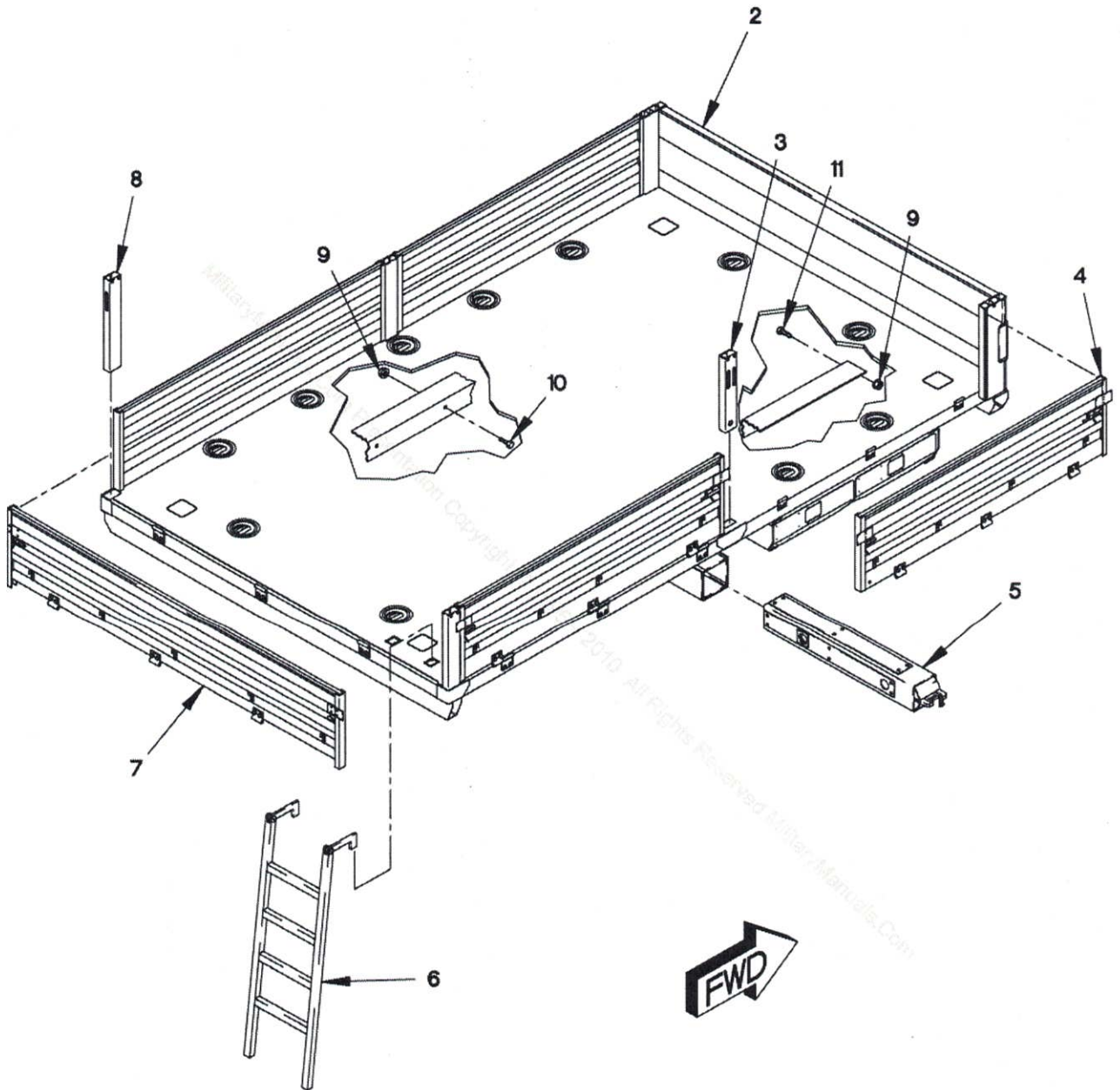


1 — 2
THROUGH
8



1810C-1C

FIGURE 209. M1078 CARGO BED, DROPSIDE ASSEMBLY AND LADDER