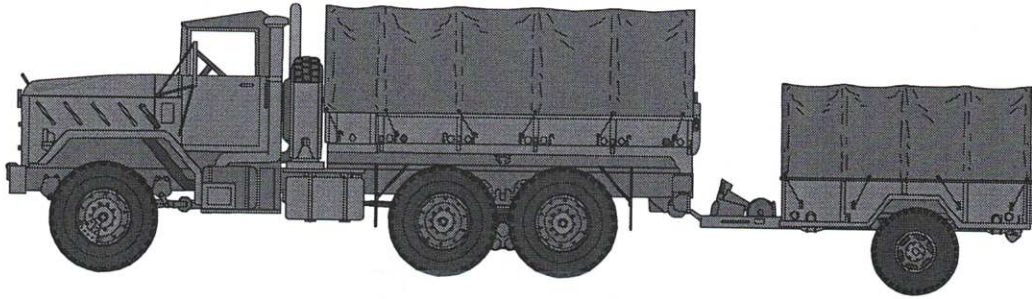
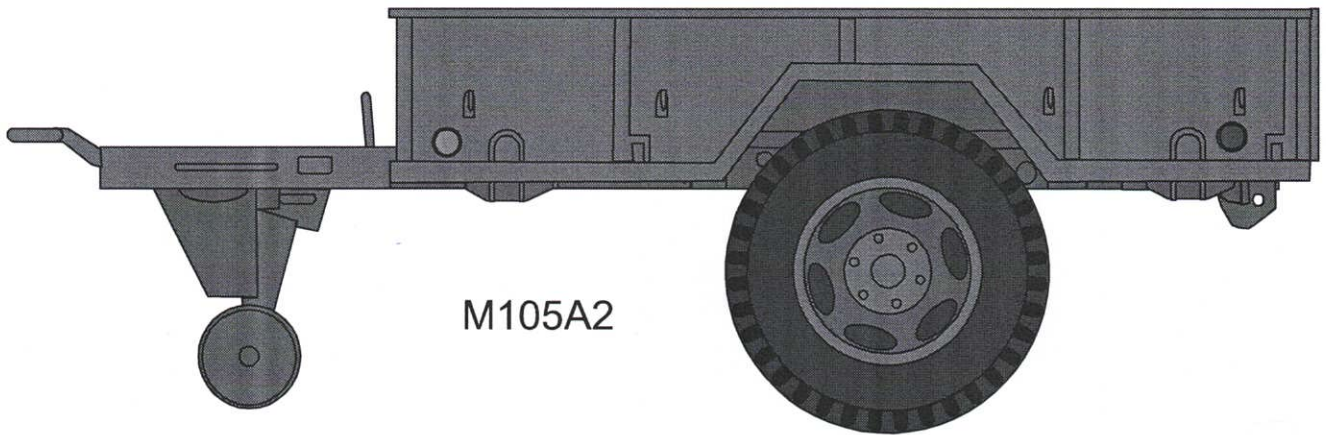


M105A2



BED HEIGHT = 37"



M105A2